

FEATURES AND SPECIFICATIONS

Features and Benefits

- LFH™ (Low Force Helix) rugged contacts offer increased life cycle, mechanical and electrical reliability
- Supports up to 2.5 GHz for the analog interface
- Fully shielded against RF/EMI
- Grounding detents on mating shell
- Solder tails for cable termination
- Positive retention jackscrew: thread 4-40 UNC-2A

Reference Information

Product Specification: PS-74320-001

Packaging: Bag

Mates With: 74320 receptacles

Designed In: Millimeters

Electrical

Voltage: 40V

Current: 1.5A

Dielectric Withstanding Voltage: 500V

Insulation Resistance: Signal—1000 MΩ min.

Coaxial—3300 MΩ min.

Mechanical

Mating Force: 10.0 lbf (4.5kgf) max.

Unmating Force: 2.2 lbf (1.0kgf) min.

Durability: 100 cycles

Physical

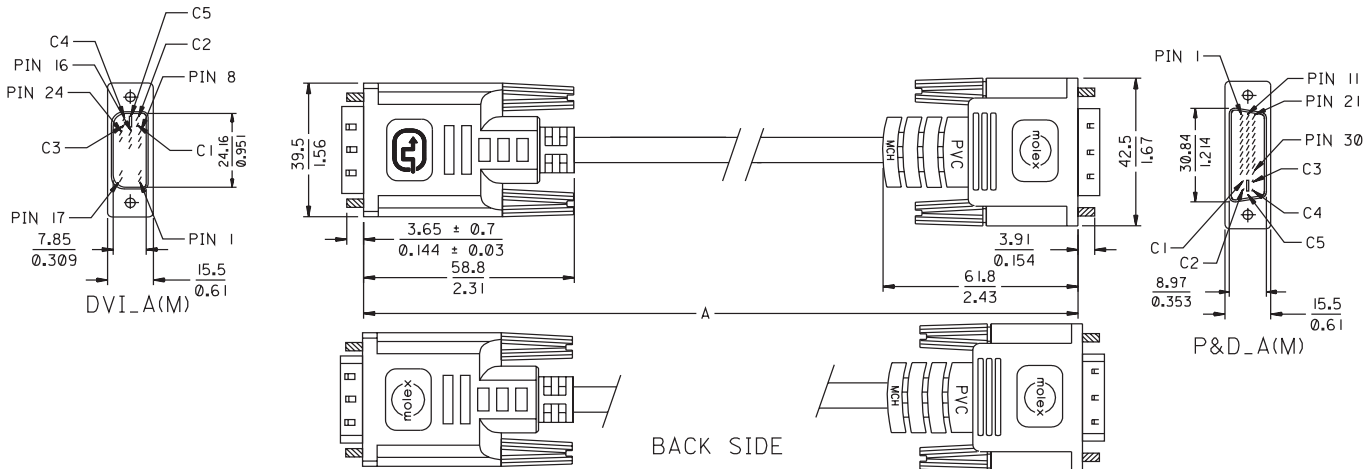
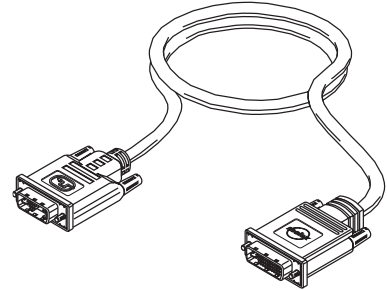
Plating: Gold flash, 30μ" Gold available upon request

Temperature: -20 to +85°C

molex® MicroCross™ DVI Digital Visual Interface Shielded I/O Cable Assembly

88741

DVI-Analog to P&D-Analog



ORDERING INFORMATION AND DIMENSIONS

Order No.	Description	Dimension A	Color
88741-8400	DVI-Analog to P&D-Analog Cable Assembly	2m (6.56ft)	Black
88741-8410	DVI-Analog to P&D-Analog Cable Assembly	3m (9.84ft)	Black
88741-8420	DVI-Analog to P&D-Analog Cable Assembly	5m (16.40ft)	Black
88741-8401	DVI-Analog to P&D-Analog Cable Assembly	2m (6.56ft)	White
88741-8411	DVI-Analog to P&D-Analog Cable Assembly	3m (9.84ft)	White
88741-8421	DVI-Analog to P&D-Analog Cable Assembly	5m (16.40ft)	White